

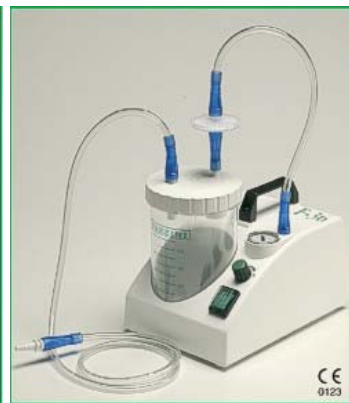
NOTE

This manual is related to the following Equipment:

Suction Pump

F-18 / F-36

F-20 / F-40



CE 0123

Service Manual

All medical device equipment and accessories should be in good working order prior to use.

It is the responsibility of each facility's engineering department to test equipments and "routine basis" to determine if medical devices are functioning within specifications.

No device or accessory should be used if a malfunction is suspected.

The installation, operation, search for breakdowns and the repair of equipment must only be performed by trained personnel⁽¹⁾ who have sufficient knowledge about the equipment, spare parts, and the information supplied.



CAUTIONS

BEFORE STARTING TO INSPECT THE DEVICE, MAKE SURE IT IS NOT CONNECTED TO THE ELECTRIC POWER SUPPLY NETWORK.

DO NOT USE THE APPLIANCE IN THE PRESENCE OF INFLAMMABLE AND/OR EXPLOSIVE LIQUIDS, GASES OR MIXTURES.

DO NOT LEAVE THE APPLIANCE EXPOSED TO ATMOSPHERIC AGENTS OR HEAT SOURCES.

USING THE APPLIANCE UNDER DIFFERENT CONDITIONS THAN THOSE SPECIFIED IN THIS HANDBOOK MAY PREJUDICE ITS SAFETY AND ITS TECHNICAL PARAMETERS

¹. An educated (qualified) person has sufficient knowledge or experience to allow him to avoid the dangers presented by electricity, whereas an informed (trained) person is sufficiently informed or works supervised by qualified persons, so as to allow him to avoid the dangers presented by electricity (e.g. operators or maintenance staff).

Service Manual



WARNINGS

BEFORE USING THE APPLIANCE READ THE HANDBOOK

WARNINGS

THE APPLIANCE MUST BE USED BY QUALIFIED PERSONNEL

WARNINGS

DO NOT OPEN THIS DEVICE FOR ANY REASON
PLEASE CONTACT THE FAZZINI S.R.L. TECHNICAL DIVISION FOR ANY PROBLEM SHOULD ARISE

CAUTIONS

CAREFULLY FOLLOW THE GUIDELINES WHEN USING THE APPLIANCE:

DO NOT HANDLE THE APPLIANCE WITH WET OR MOIST HANDS
DO NOT HANDLE THE PLUG WITH WET OR MOIST HANDS
DO NOT USE THE APPLIANCE UNDER THE SHOWER OR IN THE BATHTUB.
DO NOT DIP THE APPLIANCE UNDER WATER
DO NOT USE THE APPLIANCE IN THE PRESENCE OF INFLAMMABLE AND/OR EXPLOSIVE LIQUIDS, GASES OR MIXTURES
DO NOT LEAVE THE APPLIANCE EXPOSED TO ATMOSPHERIC AGENTS OR HEAT SOURCES
DO NOT LET CHILDREN OR INCAPABLE PERSONS USE THE APPLIANCE WITHOUT THE NECESSARY SUPERVISION.
BEFORE STARTING TO CLEAN THE DEVICE, MAKE SURE IT IS NOT CONNECTED TO THE ELECTRIC POWER SUPPLY NETWORK
DO NOT USE THE APPLIANCE FOR AIMS OTHER THAN THOSE FORESEEN BY THE MANUFACTURER. USING THE APPLIANCE UNDER DIFFERENT CONDITIONS THAN THOSE SPECIFIED IN THIS HANDBOOK MAY PREJUDICE ITS SAFETY AND ITS TECHNICAL PARAMETERS

TECHNICAL DATA

MODEL	F-18.XX	F-36.XX	F-20.XX	F-40.XX
LENGTH	260 MM.	260 MM.	350 MM.	350 MM.
WIDTH	180 MM.	180 MM.	210 MM.	210 MM.
HEIGHT	220 MM.	220 MM.	250 MM.	250 MM.
WEIGHT	3,4 KG	3,9 KG	4.0 KG	4.5 KG
POWER SUPPLY	230V- 50/60Hz	230V- 50/60Hz	230V- 50/60Hz	230V- 50/60Hz
MAX ASPIRATION FLOW	- 0,75 BAR	- 0,75 BAR	- 0,75 BAR	- 0,75 BAR
-WITH FILTER	11 L/MIN.	16 L/MIN.	11 L/MIN.	16 L/MIN.
-DIRECT MEASUREMENT ON ASPIRATION VENT	18 LT/MIN	36 LT/MIN	18 LT/MIN	36 LT/MIN
FUSE	1 X 1,6A 250V	1 X 1,6A 250V	1 X 1,6A 250V	1 X 1,6A 250V

Service Manual

OPERATING

THE APPLIANCE IS A PORTABLE ASPIRATOR FOR USE IN MINOR SURGERY AND AIMED AT FREEING THE AIRWAYS FROM ORGANIC SECRETIONS.

OPERATIONAL TEMPERATURE: BETWEEN 0° AND 50°
OPERATIONAL HUMIDITY: BETWEEN 20 AND 90% RU
BEYOND 2500 METERS OF HEIGHT, THE ASPIRATION FLOW MAY DECREASE.

1. TIGHTLY SCREW THE LID ON THE JAR TO GUARANTEE A PERFECT SEAL
2. CONNECT THE SHORT TUBE TO FILTER 1 ON THE "ASPIRATION" 2 VENT
3. CONNECT THE OTHER END OF THE TUBE TO THE "VACUUM" 3 VENT WITH THE FLOAT ON THE JAR'S LID
4. CONNECT THE LONG TUBE 4 TO THE OTHER "PATIENT" 5 VENT ON THE JAR'S LID (VENT WITHOUT FLOAT)
5. CONNECT THE OTHER END OF THE LONG TUBE 4 THE PROBE CONNECTOR 6 AND EVENTUALLY THE SUPPLIED PROBE
6. PLUG IN THE POWER CORD TO THE MAIN BUT ONLY AFTER CHECKING THE VOLTAGE IS THE ONE INDICATED BY THE LABEL IN THE BACK OF THE EQUIPMENT.
7. PRESS THE ON/OFF SWITCH 7
8. ASPIRATION INTENSITY CAN BE VARIED WITH THE RELEVANT CONTROL ON THE FRONT PANEL OF THE APPLIANCE 8 AND CAN BE CHECKED ON THE APPLIANCE FRONT PANEL 9 VACUOMETER.
9. IT IS RECOMMENDED TO CARRY OUT A FIRST ASPIRATION CYCLE WITH AT LEAST 500 ML OF WATER ONLY.
10. THE ASPIRATED FLUID WILL FLOW IN THE RELEVANT JAR. SHOULD THE AMOUNT OF FLUID EXCEED THE JAR'S CAPACITY, THE OVERFLOW VALVE WILL STOP ASPIRATION.
11. IMMEDIATELY SWITCH OFF THE APPLIANCE BY SETTING THE ON/OFF 7 SWITCH ON THE " OFF" POSITION.

THE MANUFACTURER, ASSEMBLER, INSTALLER OR IMPORTER ARE HELD LIABLE FOR THE SAFETY, PERFORMANCE AND RELIABILITY OF THE APPLIANCE ONLY IF THE ELECTRIC SYSTEM TO WHICH THE APPLIANCE IS CONNECTED COMPLIES WITH L.D.46/90

ACCESSORIES INCLUDED

CODE N°	DESCRIPTION
05.0001	JAR 1000 ML
05.00552	SET OF TUBES
05.0010	ASPIRATION PROBE CH 14 (DISPOSABLE)
05.0015	ANTIBACTERIAL/HYDROPHOBIC FILTER (DISPOSABLE)

SHOULD ACCESSORIES BE USED OTHER THAN THOSE SUPPLIED BY FAZZINI S.R.L., YOU MUST MAKE SURE THAT THEY HAVE THE SAME CHARACTERISTICS AS THE ORIGINAL ONES.

NOTE: THE SUPPLIED JARS ARE NOT MEANT TO BE USED AS MEASURERS, AND PROVIDE ONLY AN INDICATION OF THE CONTAINED QUANTITY.

OPERATIONAL STEPS AT THE END OF THE PROCEDURE

NOTE: ALWAYS USE INDIVIDUAL PROTECTION DEVICES (EX. LATTICE GLOVES) EVERY TIME YOU MAY GET IN CONTACT WITH POTENTIALLY CONTAMINATED PARTS.

DISCONNECT DISPOSABLE PARTS AND DISPOSE OF THEM.

CHECK THE GENERAL INTEGRITY OF THE ASPIRATOR

CARRY OUT THE FOLLOWING CLEANING OPERATIONS

ASPIRATION TUBES SHOULD BE STERILIZED AFTER EACH USE.

THE FILTER ON THE APPLIANCE IS DISPOSABLE; THEREFORE IT IS NECESSARY TO REPLACE IT AFTER EVERY USE. DO NOT USE THE ASPIRATOR WITHOUT A FILTER

JAR CLEANING

THE FLUID COLLECTION JAR CAN BE AUTOCLAVED AT A TEMPERATURE NOT EXCEEDING 121°C, OTHERWISE, THE JAR CAN BE DISINFECTED WITH DENATURED ALCOHOL OR A HYPO CHLORITE BASED SOLUTION THAT CAN BE EASILY FOUND IN PHARMACIES

MAXIMUM REUSE LIMIT: 30 CYCLES

Service Manual

HOW TO CLEAN THE APPLIANCE

DISCONNECT THE APPLIANCE FROM THE ELECTRIC SUPPLY NETWORK AND THEN CLEAN IT WITH A SOFT CLOTH WETTED WITH NON ABRASIVE DETERGENTS

PERIODIC MAINTENANCE CHECK

ASPIRATOR WAS DESIGNED TO KEEP MAINTENANCE TO A MINIMUM. NEVERTHELESS IT IS NECESSARY TO CARRY OUT A DAILY CHECK BEFORE USING THE APPLIANCE.

BEFORE CARRYING OUT ANY CHECK DUE TO MALFUNCTIONING OR ANOMALIES, CALL THE FAZZINI S.R.L. TECHNICAL SERVICE OR PERSONNEL QUALIFIED BY FAZZINI S.R.L.

FAZZINI S.R.L. DOES NOT OFFER ANY WARRANTY ON APPLIANCE THAT UPON INSPECTION BY THE TECHNICAL SERVICE SHOWS SIGNS OF TAMPERING.

THE OPERATOR MUST EXCLUSIVELY REPLACE THE SUPPLIED ACCESSORIES IF NECESSARY IN LINE WITH THE APPLIANCE'S USE INTENSITY

ASPIRATION TUBES SHOULD BE STERILIZED AFTER EACH USE.

IN CASE OF REPAIR, THE USER SHOULD CALL FAZZINI S.R.L.

TRANSPORTATION COSTS MUST ALWAYS BE AGREED WITH FAZZINI S.R.L. BEFORE SHIPPING FAILED PIECES.

SHOULD ANY FLUID LEAK IN THE APPLIANCE, CALL THE TECHNICAL SERVICE OF FAZZINI S.R.L. FOR MAINTENANCE. DO NOT OPEN THE UNIT.

STORAGE

THE ASPIRATOR MUST BE STORED IN A DRY LOCATION, PROTECTED FROM ATMOSPHERIC AGENTS

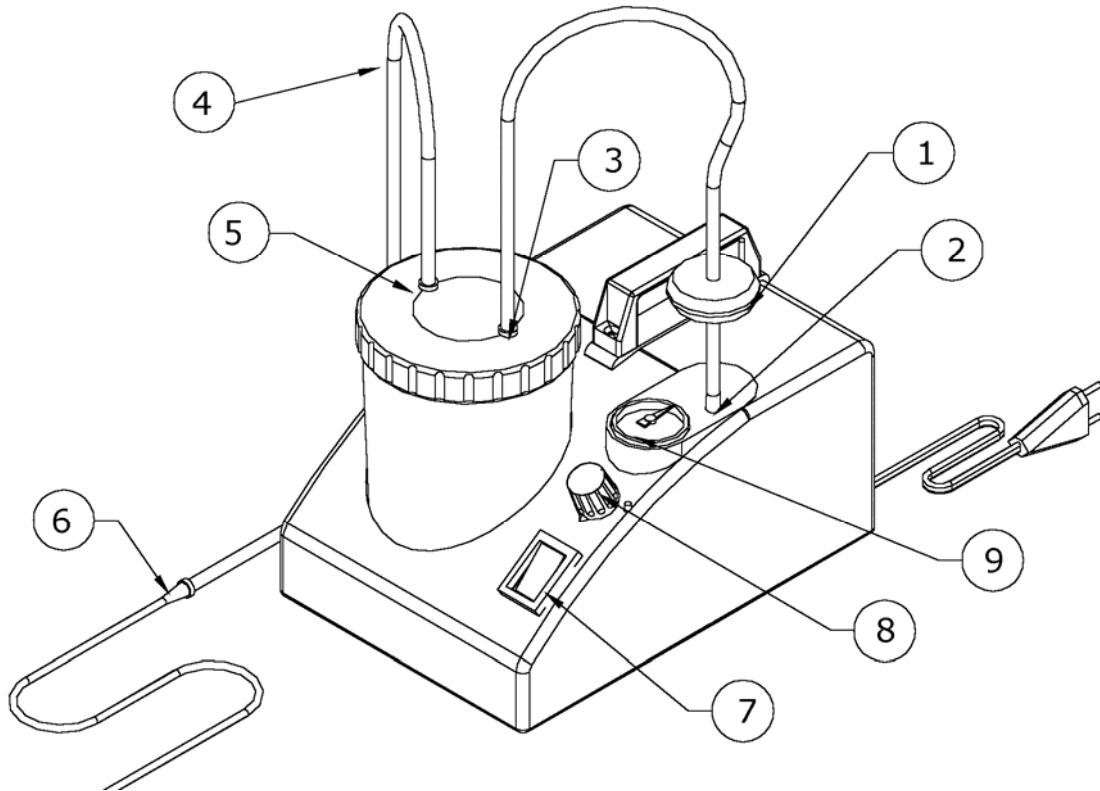
STORAGE TEMPERATURE: BETWEEN -10° AND + 55°

RELATIVE HUMIDITY BETWEEN 20 AND 80%

DISPOSAL

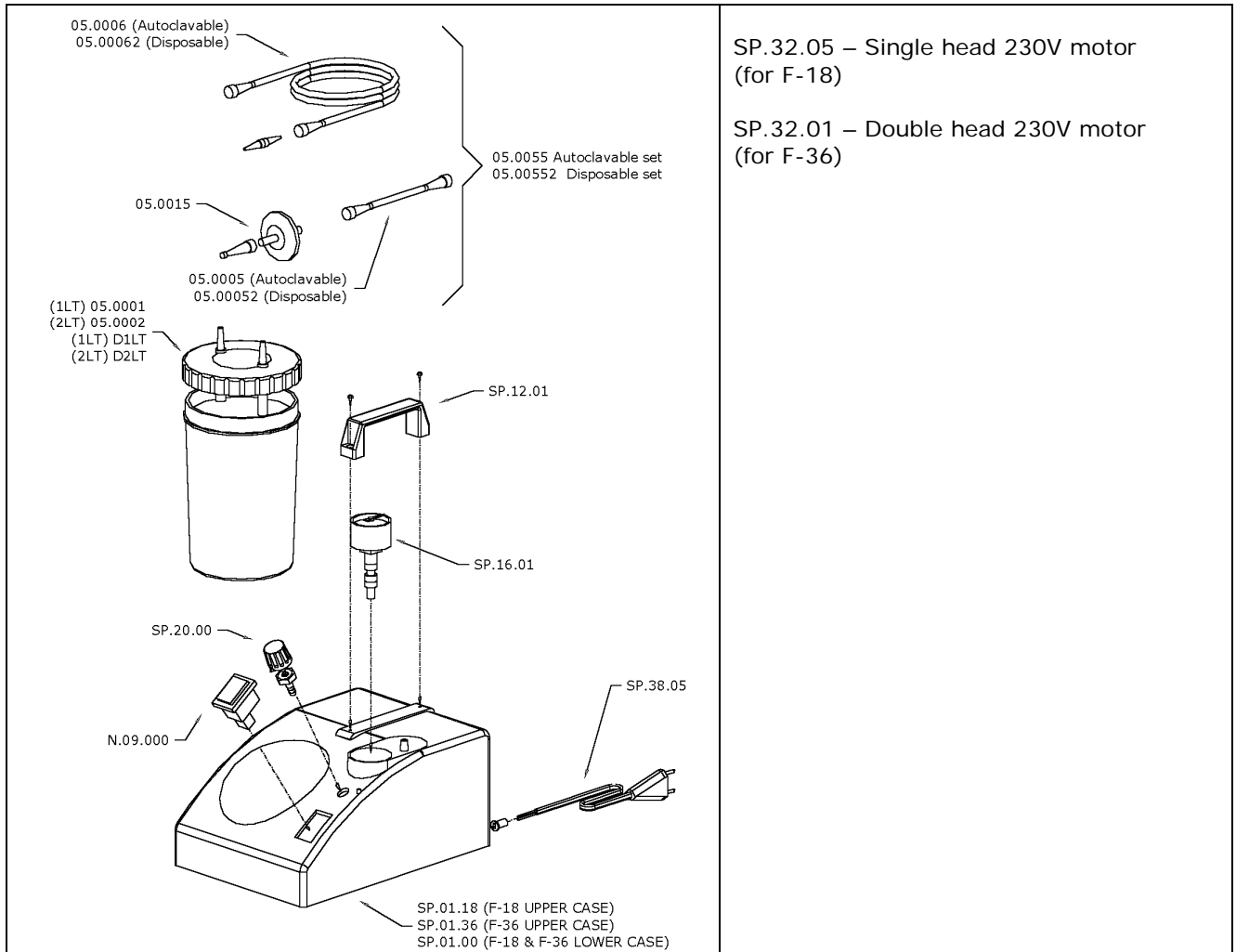
WITH REFERENCE TO THE DISPOSAL OF THE APPLIANCE, ITS ACCESSORIES AND ITS SINGLE USE DISPOSABLE PARTS, PLEASE SEE CURRENT WASTE DISPOSAL REGULATIONS

Legenda F-18 / F-36

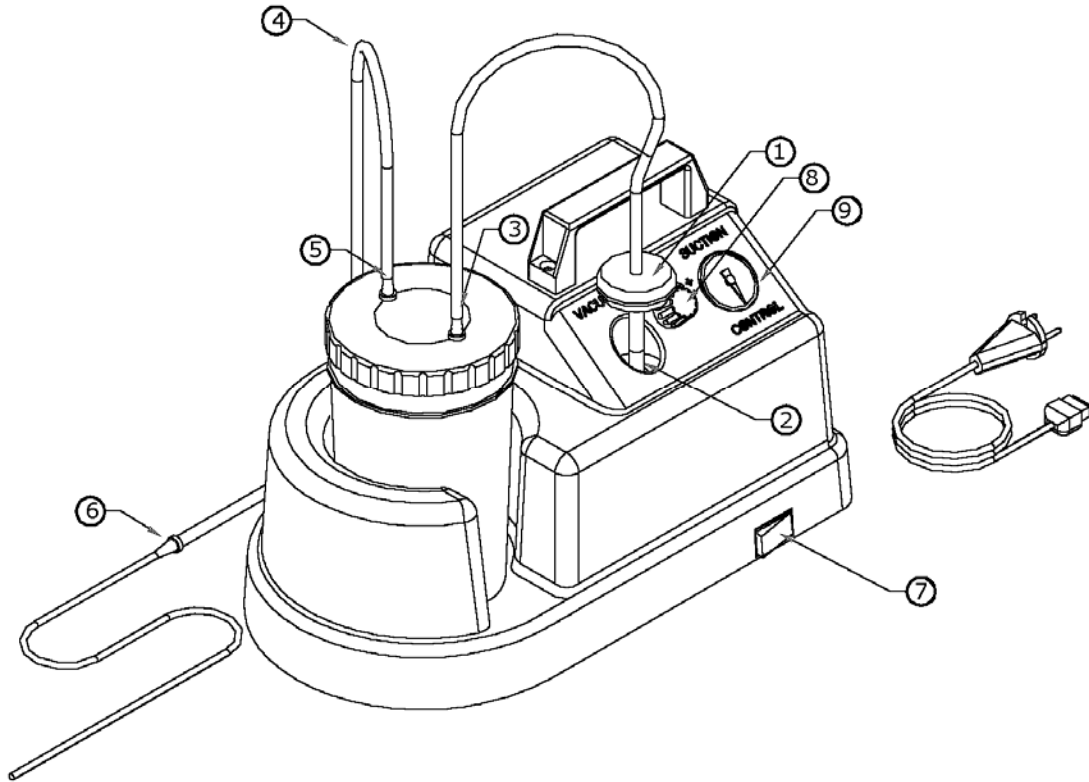


1	Filter
2	Vacuum drive
3	Jar drive to the filter
4	Silicone tube to the patient
5	Jar drive to the patient
6	Suction catheter CH 14
7	Main switch
8	Vacuum regulator
9	Vacuum gauge

General assembly – F-18 / F-36

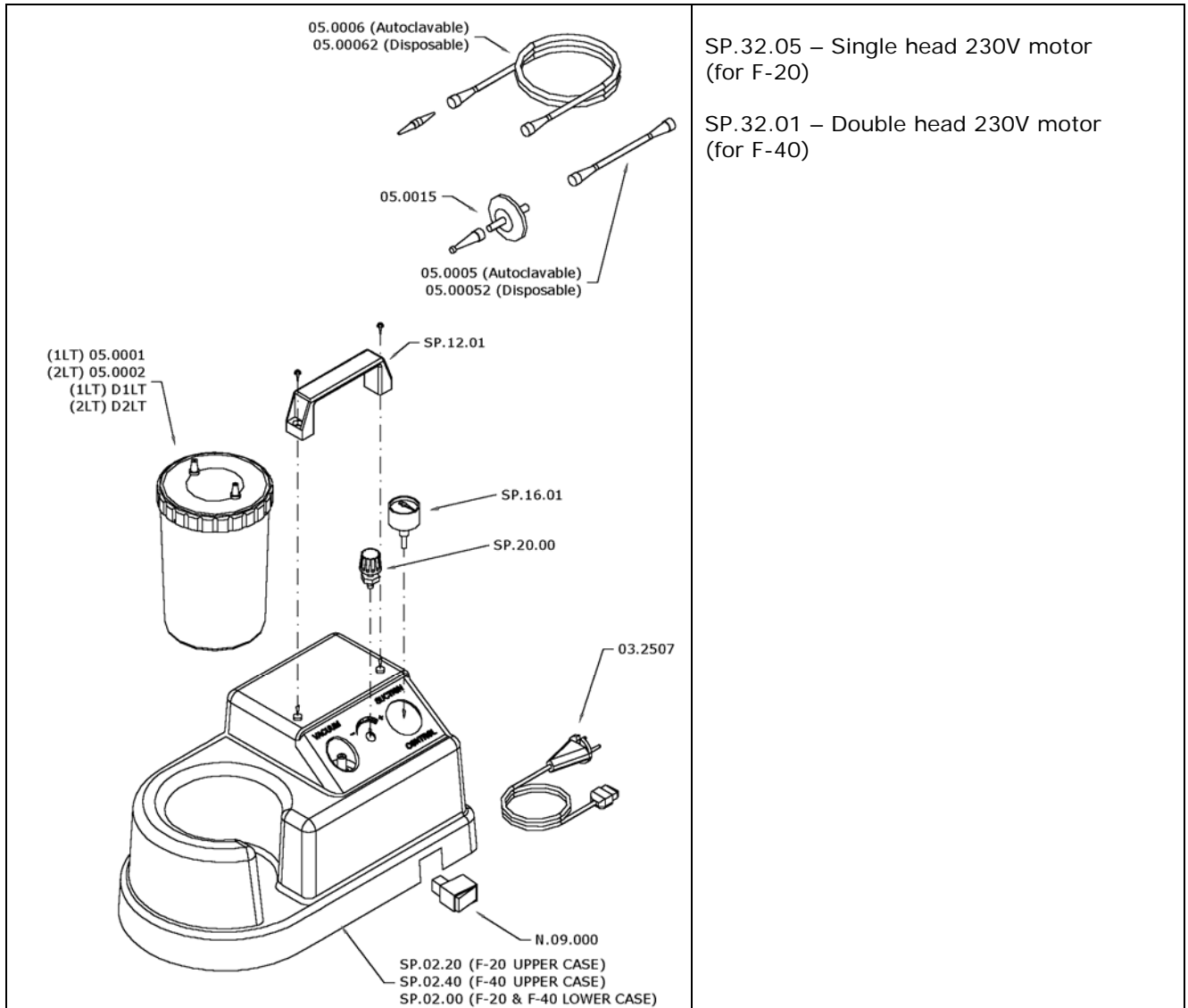


Legenda F-20 / F-40



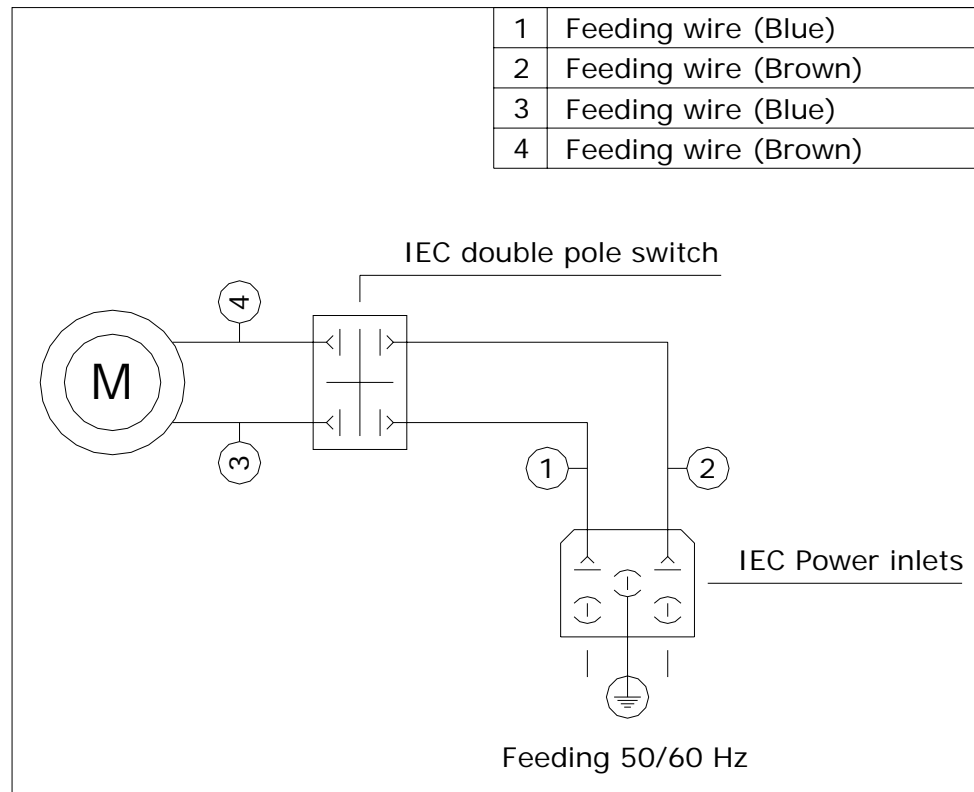
1	Filter
2	Vacuum drive
3	Jar drive to the filter
4	Silicone tube to the patient
5	Jar drive to the patient
6	Suction catheter CH 14
7	Main switch
8	Vacuum regulator
9	Vacuum gauge

General assembly – F-20 / F-40

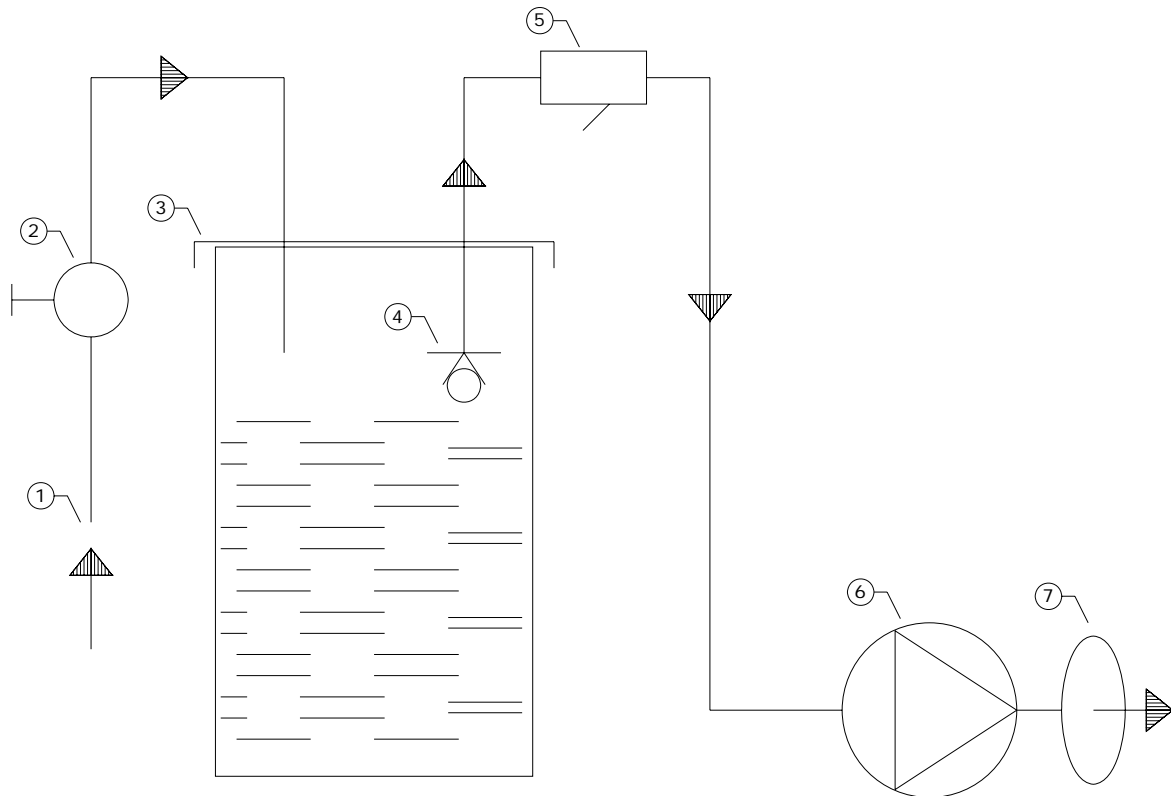


Service Manual

Functional layout



Pneumatic circuit



1	Catheter to the patient
2	Suction regulator
3	Jar
4	Non rebreathing valve
5	Filter
6	Pump / Motor
7	Vent

Service Manual

Correcting Malfunctions

Situation		Possible Cause		Solution
1	Equipment will not turn on	a	Disconnected or loose cord	Check connections and reconnect unit
		b	Faulty wall outlet	Use another wall outlet
		c	Fuses are damaged	Check the fuses inside SP.38.02 ⚡ If fuses are damaged check the electrical insulation on the electrical apparatus
		d	Main rocker switch is damaged	In ON position, check the presence of the light ; if no light is detected replace with a spare switch
		e	Internal wiring connection are not completed	Open the equipment and verify internal electrical wiring (see functional layout)
Situation		Possible Cause		Solution
2	Suction fault	a	Vacuum regulator do not work properly	Turn the manifold SP.21
		b	Internal tubing are not properly connected	Open the equipment and verify internal tubing connection
		c	Internal tubing are choked	Open the equipment and verify internal tubing bends
		d	Pump fault	Open the equipment ,disconnect the tubing and check the pump